

Dishwasher

Teikos
catering equipment

A step forward in environmentally friendly products.

Teikos' production is completely designed and manufactured in Italy. All stages of production are highly controlled. Before the machines leave the factory, they are tested one by one with water, electricity and temperature, to guarantee the customer strength and longevity, reducing the need for warranty work. Thanks to the standardization of the components, Teikos Dealers are able to act quickly to meet any Customer's needs. A satisfied Customer is a Customer who will always bring in good publicity!

For washing and rinsing, we use high-efficiency pumps, carefully sized, to reduce consumption and respect the environment, with very high performance results.

We have minimized the use of plastic parts, most components are electromechanical, and upon Customer's request, the technical staff can customize the duration of washing cycles; the thermostats, that manage the temperatures of washing and rinsing, are both adjustable for a perfect set-up. The removal of parts for maintenance and routine cleaning is performed without the use of tools. Our philosophy is to offer to highest quality product without compromising.



90

TS 830

Double Skinned Stainless Steel

Glass Washer

100% made in Italy

Teikos
catering equipment

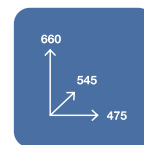
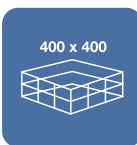


Features

- Top and bottom washing and rinsing
- Inox washing and rinsing arms, separated
- 'Rinse Now' function
- Top controls
- Stop cycle feature on door opening
- Built-in rinse-aid dispenser
- Balanced door
- Power supply 220/240V 1F 50Hz
- Max power 2.7 Kw
- Max capacity: 40 racks/hour
- Three washing cycles

Supplied with

- 2 glass baskets
- 1 cutlery basket
- 1 plate rack insert
- inlet hose
- drain hose already fitted
- All double-skinned inox construction
- Washing cycles: 150 seconds
- Both wash and rinse arms in stainless steel
- Top and bottom wash and rinse system
- One-piece moulded wash arm
- Great door depth, balanced, with stainless steel built-in handle Top controls with extremely easy management
- Safety cycle-stop feature on door opening
- Built-in rinse-aid dispenser
- Maximum door clearance with extremely low machine
- Door height of 30cm with a machine total height of 66cm only (feet included) !
- Ideal in limited spaces or to be used on a work plan, thanks to its minimum height
- Beer glasses and ice-cream cups are not a problem anymore !
- Reinforced hinges with balanced door (no need of side tie rods)
- Great quality of washing



TECHNICAL DATAT

Square Rack Size	500 Mm
Round rack size (optional)	370 Mm
Maximum clear entry height	300 mm
Cycle Times	90", 120", -180"
Maximum Racks Per Hour	40
Water Connection Dimension	3/4"
Required Water Pressure (max/min)	6 / 1.5 Bar
Drain Type	Gravità - Gravity
Drain Pipe Dimension	40 mm (36mm Int.)
Operating Voltage	230V 50Hz 1F
Tank Element	2500 W
Boiler Element	2500 W
Total Electric Absorption	2700 W
Standard Wash Tank Temperature (adjustable by User)	60°C
Standard Boiler Temperature (adjustable by User)	80°C
Electropump	200 W
In Let Water Temperature	10 → 60°C
Wash Tank Capacity	7,00 L
Boiler Capacity	3,00 L
Water Consumption Per Cycle	2 → 2,5 L
Net Weight	45 Kg
Gross Weight	50 Kg
Packaging Dimensions	58x53xH71 cm
Built In Rinse Aid Dispenser	Si - Yes
Built In Detergent Electric And Adjustable Dispenser	Optional
Complete double skinned structure	Si - Yes
Reinforced hinges (no tie rods on door)	Si - Yes
Automatic drain pump	Optional
Built In resins water softener	Optional
Built in 'Rinse-Now' feature	Si - Yes
Dismountable Internal Door For Inspection/cleaning	Si - Yes
Both Wash And Rinse Arms Separated And In Stainless Steel	Si - Yes
One-piece Moulded Wash Arm	Si - Yes
Top And Bottom Wash And Rinse System	Si - Yes
Great door depth, balanced, with stainless steel built-in-handle	Si - Yes
Safety Cycle-stop Feature On Hood Opening	Si - Yes

TS 603

Double Skinned Stainless Steel Under Counter Dishwasher

Teikos
catering equipment



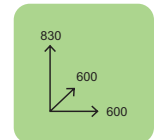
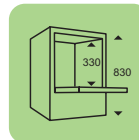
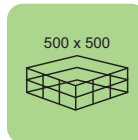
Features

- Top and bottom washing and rinsing
- Inox washing and rinsing arms, separated
- 'Rinse Now' function
- Top controls
- Stop cycle feature on door opening
- Built-in rinse-aid dispenser
- Balanced door
- Power supply 220/240V 1F 50Hz
- Max power 2.7 Kw
- Max capacity: 40 racks/hour
- Three washing cycles

Supplied with

- 1 plate basket
- 1 glass basket
- 2 cutlery basket
- inlet hose
- drain hose already fitted

- All double-skinned inox construction
- Triple working cycles: 2, 1.5, 3 minutes
- "Rinse-Now" feature
- Side controls for maximum ease of use
- Both wash and rinse arms in stainless steel
- One-piece moulded wash arm
- Stainless steel pump filter
- Additional filter on waste circuit
- Safety cycle-stop feature on door opening
- Built-in rinse-aid dispenser
- Top and bottom wash and rinse system
- Perfect ergonomics and maximum strength with a door clearance of 330 mm. Pizza dishes are not a problem anymore!
- Reinforced hinges (no need for side tie rods)
- Three phase power supply
- Great quality of washing



TECHNICAL DATAT

Square Rack Size	500 Mm
Maximum Clear Entry Height	330 Mm
Cycle Times	1, 1.5, 3 Min
Maximum Racks Per Hour	40
Water Connection Dimension	3/4"
Required Water Pressure (max/min)	6 / 1.5 Bar
Drain Type	Gravita - Gravity
Drain Pipe Dimension	40 Mm (36mm Int.)
Operating Voltage	380v 50hz 3f
Tank Element	4500 W
Boiler Element	6000 W
Total Electric Absorption	6800 W
Standard Wash Tank Temperature (adjustable By User)	60°C
Standard Boiler Temperature (adjustable By User)	80°C
Electropump	700 W
In Let Water Temperature	10 → 60°C
Wash Tank Capacity	30 Lt
Boiler Capacity	6,00 L
Water Consumption Per Cycle	2 → 2,5 L
Net Weight	60 Kg
Gross Weight	70 Kg
Packaging Dimensions	67x63x98 Cm
Built In Rinse Aid Dispenser	Si - Yes
Built In Detergent Electric And Adjustable Dispenser	Optional
Complete Double skinned structure	Si - Yes
Reinforced hinges (no tie rods on door)	Si - Yes
Automatic drain pump	Optional
Built In 'Rinse-Now' feature	Si - Yes
Dismountable Internal Door For Inspection/cleaning	Si - Yes
Both Wash And Rinse Arms Separated And In Stainless Steel	Si - Yes
One-piece Moulded Wash Arm	Si - Yes
Top And Bottom Wash And Rinse System	Optional
Great door depth, balanced, with stainless steel built-in-handle	Optional
Safety Cycle-stop Feature On Hood Opening	Si - Yes

TS 103 SPW

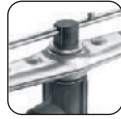
Double Skinned Stainless Steel

Hood Type Dishwasher

Teikos
catering equipment



Upper and lower washing and rinsing: perfect result without compromises in a 150 sec. cycle.



Upper and lower stainless steel wash and rinse arm with reinforced end caps, work separately on independent circuits, assuring a perfectly balanced and through washing and highly efficient rinsing.



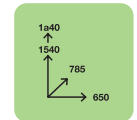
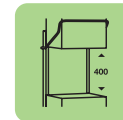
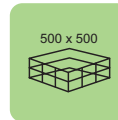
Lifting handle design with stainless steel ball bearings.



Hood sliding on 3.5 cm diameter stainless steel columns.

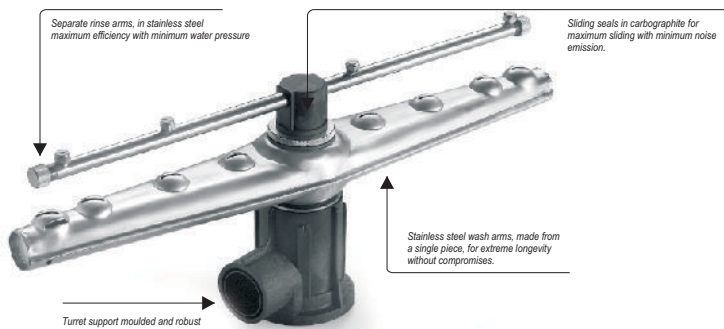
Hood-type dishwasher

- Triple working cycle: 1, 2, 3 minutes
- Built in "Rinse-Now" function
- Side controls on left side too, for right corner settings up
- Complete inox surface filter
- Stainless steel pump filter
- Additional filter on waste circuit
- Both wash and rinse arms in stainless steel
- One-piece molded wash arm
- Hood with double top skin
- Safety cycle stop on hood opening (possibility of an Automatic-Start on hood closing)
- Shining glasses and dishes with built-in rinse-aid dispenser
- Extremely strong hood sliding on Ø35 mm stainless steel columns
- Ergonomic and aesthetic oval handle sliding on stainless steel ball bearings
- Maximum flexibility thanks to a 400mm hood clearance
- Both washing and rinsing from upper and lower side
- No hood regulation needed !
- Three phase power supply
- Great quality of washing



TECHNICAL DATAT

Square Rack Size	500 Mm
Maximum Clear Entry Height	400 Mm
Cycle Times	1, 2, 3 Min
Maximum Racks Per Hour	60
Water Connection Dimension	3/4"
Required Water Pressure (max/min)	6 / 1.5 Bar
Drain Type	Gravita - Gravity
Drain Pipe Dimension	40 Mm (36mm Int.)
Operating Voltage	380v 50hz 3f
Tank Element	6000 W
Boiler Element	9000 W
Total Electric Absorption	10800 W
Standard Wash Tank Temperature (adjustable By User)	60°C
Standard Boiler Temperature (adjustable By User)	80°C
Electropump	1400 W Air Forced
In Let Water Temperature	10 → 60°C
Wash Tank Capacity	39 Lt
Boiler Capacity	7,20 L
Water Consumption Per Cycle	2 → 2,5 L
Net Weight	115 Kg
Gross Weight	130 Kg
Packaging Dimensions	91x69xh165 Cm
Built In Rinse Aid Dispenser	Si - Yes
Built In Detergent Electric And Adjustable Dispenser	Optional
Complete Inox Surface Filter	Si - Yes
Stainless Steel Pump Filter	Si - Yes
Additional Security Filter On Waste Circuit	Si - Yes
Hood With Double Skinned Top	Si - Yes
Satin Stainless Steel Handle	Si - Yes
Door Sliding System With Ø35mm Stainless Steel Column	Si - Yes
Hood Sliding System With No Maintenance Need	Si - Yes
Automatic Start On Hood Closing	Optional
Automatic Drain Pump	Optional
Built In 'rinse-now' Feature	Si - Yes
Dismountable Internal Door For Inspection/cleaning	Si - Yes
Both Wash And Rinse Arms Separated And In Stainless Steel	Si - Yes
One-piece Moulded Wash Arm	Si - Yes
Top And Bottom Wash And Rinse System	Si - Yes
Safety Cycle-stop Feature On Hood Opening	Si - Yes



TR10- TR12- TR16- TR22

Rack conveyor dishwashers, inox double-skinned

Teikos
catering equipment



TR10

Features

- Reversible - 2 cycles: washing, rinse
- Output baskets/hour: 50/100
- Power: 400V 3NT 50Hz 13.3 KW
- Molded tank
- Inox surface ilter
- Inox pump ilter
- Removable inox dirt's basket
- Water stop
- Auto-timer electronically controlled for washing
- Rinse economizer
- High thickness baskets sliding binary

- Reversible - 2 cycles: washing, rinse
- Output baskets/hour: 50/100 (TR10)
- Output baskets/hour: 50/100/130 (TR12)
- Output baskets/hour: 65/130/170 (TR16)
- Output baskets/hour: 85/170/220 (TR22)
- Power: 400V 3NT 50Hz 13.3 KW (TR10)
- Power: 400V 3NT 50Hz 17.3 KW (TR12)
- Power: 400V 3NT 50Hz 21.0 KW (TR16)
- Power: 400V 3NT 50Hz 23.8 KW (TR22)
- Molded tank
- Inox surface filter
- Inox pump filter
- Removable inox dirt's basket
- Water stop
- Auto-timer electronically controlled for washing
- Rinse economizer
- High thickness baskets sliding binary



TECHNICAL DATAT

TR10	TR12	TR16	TR22
Square rack size	500 mm	500 mm	500 mm
Maximum clear entry height	400 mm	400 mm	400 mm
Productivity, baskets per hour	50 - 100	50 - 100 - 130	65 - 130 - 170
Reversible machine	Si - Yes	Si - Yes	No
Standard dimensions	770x1150 mm	770x1150 mm	770x1970 mm
Dimensions with linear drying module (optional)	770x1750 mm	770x1750 mm	770x2570 mm
Dimensions with corner drying module (optional)	880x1970 mm	880x1970 mm	880x2790 mm
Required water pressure (max/min)	2 - 6 bar	2 - 6 bar	2 - 6 bar
Drain type	Gravita - Gravity	Gravita - Gravity	Gravita - Gravity
Drain pipe dimension	40 mm (36mm int.)	40 mm (36mm int.)	40 mm (36mm int.)
Standard power supply	380V 50Hz 3N	380V 50Hz 3N	380V 50Hz 3N
On request power supply	230V 50Hz 3N	230V 50Hz 3N	230V 50Hz 3N
Standard tank element	8 kW	8 kW	8 kW
Tank element with (optional) cold water supply	16.5 kW	19 kW	21.5 kW
Boiler element...	12 kW	26.5 kW	31 kW
...with (optional) cold water supply...	21.5 kW	25.5 kW	26.5 kW
...with (optional) cold water supply and heat recovery (optional)	16.5 kW	20.5 kW	23.8 kW
Total electric absorption...	13.3 kW	# < 4kW	30.5 kW
...with (optional) cold water supply...	22.8 kW	# < 4kW	33.3 kW
...with (optional) cold water supply and heat recovery (optional)	17.8 kW	# < 4kW	28.3 kW
Standard wash tank temperature (adjustable by user)	55°C	55°C	55°C
...adjustable by user:	45°C → 60°C	45°C → 60°C	45°C → 60°C
Standard boiler temperature...	80°C	80°C	80°C
...adjustable by user:	60°C → 90°C	60°C → 90°C	60°C → 90°C
Prewash/wash rail quantity	0/3	3/3	3/4
Rinse rail quantity	0/3	3/3	3/4
Electropump	1.1 kW	0.71/1.1 kW	0.71/1.1 kW
Standard water temperature supply...	50°C	50°C	50°C
...with cold water kit (optional)...	15°C	15°C	15°C
...with cold water kit (optional) and heat recovery (optional)	15°C	15°C	15°C
Wash tank capacity	70 L	45 LT	45 LT
Boiler capacity	17 L	70 L	70 LT
Water consumption: l/htr	200	58	17 LT
Water consumption: l/basket	-	310	400
Net weight	200	260 Kg	260 Kg
Gross weight	240	300 Kg	300 Kg
Packaging dimensions	1280x920x1800 mm	2100x920x1800 mm	2100x920x1800 mm
Rinse aid dispenser	Optional	Optional	Optional
Built in electric and adjustable detergent dispenser	Optional	Optional	Optional
Stainless steel pump filter	Si - Yes	Si - Yes	Si - Yes
Tank surface filter	Si - Yes	Si - Yes	Si - Yes
Stop microswitch with exit table kit (optional)	Si - Yes	Si - Yes	Si - Yes
Standard anti flood system	Si - Yes	Si - Yes	Si - Yes
Standard safety overpressure and overvoltage device	Si - Yes	Si - Yes	Si - Yes
Rinse phase economizer	Si - Yes	Si - Yes	Si - Yes
Automatic start with basket insertion	Si - Yes	Si - Yes	Si - Yes



Indiwash

A complete washing solution

Warewashing
ACTIVE Hood Type Dishwasher
with Guaranteed Rinse System

505087 (ZHT7)
ACTIVE Hood Type dishwasher
with Guaranteed Rinse System,
1200 plates/h or 67 racks/h



Main Features

- ACTIVE model with Guaranteed Rinse System. Atmospheric boiler in ACTIVE model combine with rinse booster pump offer a perfect rinsing performance in term of constant pressure and high temperature of the water, always at 84°C during the rinse cycle regardless of the inlet water temperature (from 10°C to 60°C) and water pressure of the net work (a minimum of 0.5bar or 7psi).
- The green eye of Guaranteed Rinse System (GRS) provides the operator with an immediate signal after every rinse cycle informing that rinsing has been performed to perfection.
- High efficiency air gap (class A) in water inlet circuit to avoid water being siphoned back into the network as a result of a sudden drop in main pressures.
- 4 second (variable) pause after washing and before rinsing ensures that no drops of unclean water will fall on the clean items at the end of the rinsing cycle.
- Thermal label compliant approved and compliant with NSF sanitization standards (paragraph 7.1).
- An effective rinse system uses only 3 litres of clean hot water per basket for lower running costs.
- Incorporated Soft Start feature to offer additional protection to more delicate items.
- Maximum capacity of 47 racks per hour (Thermal label complaint mode) or 67 racks per hour (High Productivity mode).
- 77/90/150 seconds Thermal label complaint cycle.
- 54/90/150 seconds "high productivity" cycle.
- Automatic start on hood closure.
- Open hood on the back side to prevent steam blasts to the operator.
- Fully automatic self-cleaning cycle avoids the risk of bacteria proliferation.
- Self-draining wash pump and boiler.
- Simple control panel with digital thermometers indicates wash/rinse temperatures.
- Low noise level.
- Pre-arrangement for HACCP system implementation and Energy Management device.
- Pre-arranged to accept external dispensers.
- Three phase electrical connection, convertible to single phase on-site.
- IPX 4 water protection.
- Suitable to be connected to specific pre-wash tabling, service entry and exit tabling and roller conveyor tabling – included in Electrolux Professional Handling System range.



Nowhere to hide.

duo**Power** provides 2 powerful spraying arms that work in unison to reach every corner of the dishwasher, leaving nothing but outstanding results - every time.



More space.

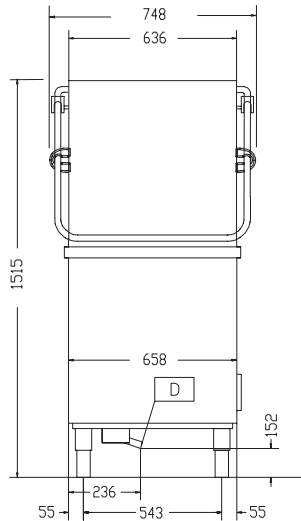
vario**Drawer** frees up space as you don't need a cutlery basket, creating ample room in your dishwasher for more place settings - ideal for larger dinner parties.



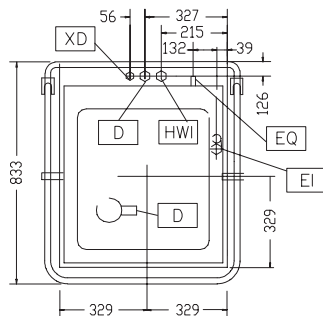
Perfect time saver.

vario**Speed** is the perfect time saver, reducing washing and drying times by up to 50%. Ensure you're never caught out if you forget to start the dishwasher before work.

Front

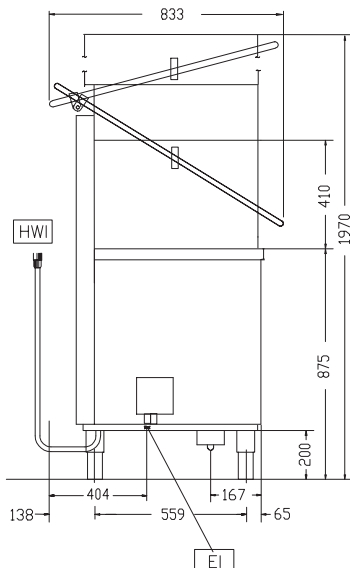


Top



- D** = Drain
- EI** = Electrical connection
- EQ** = Equipotential screw
- HWI** = Hot water inlet
- XD** = Detergent connection
- XI** = Chemicals inlet

Side



Electric

Supply voltage:	
505087 (ZHT7)	400 V/3N ph/50 Hz
505088 (ZHT76)	230 V/3 ph/60 Hz
Convertible to:	
505087 (ZHT7)	230V 1N~; 230V 3~
505088 (ZHT76)	230V 1N~; 400V 3N~
Total Watts:	15.9 kW
Boiler heating elements:	12 kW
Total Amps:	400V/ 3N 22A
	230V/ 3 35A
	230V/ 1N 57A
Tank heating elements:	3 kW
Wash pump size:	0,8 kW

Water:

Water supply temperature:	10-60 °C
Inlet Water supply pressure:	7 - 102 psi (0.5 - 7 bar)
Water consumption per cycle (lt):	3
Boiler Capacity (lt):	12
Tank Capacity (lt):	42
Drain line size:	40mm

Key Information:

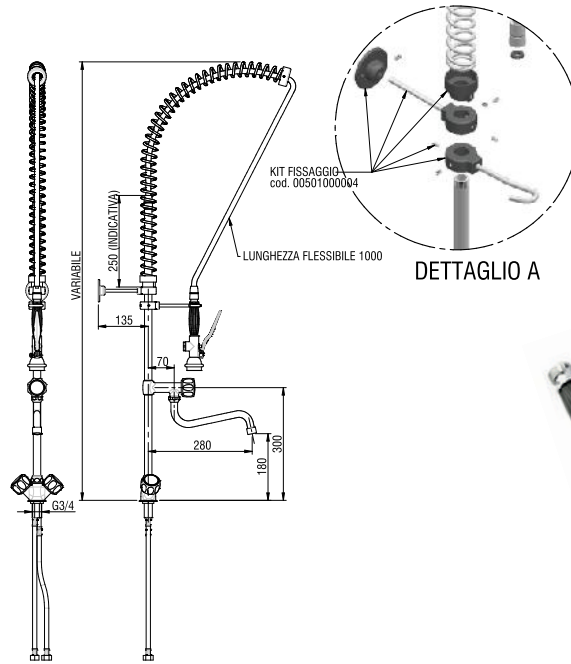
N° of cycles:	3
Duration cycle - High productivity:*	54/90/150 sec.
Duration cycle - Thermal Label compliant:	77/90/150 sec.
Racks per hour - High productivity: *	67
Racks per hour - Therma Label compliant:	47
Dishes per hour - High productivity: *	1200
Dishes per hour - Therma Label compliant:	846
Wash temperature (MIN):	55°C
Wash temperature - Thermal Label compliant:	71 °C MIN
Rinse temperature (MIN):	85 °C
Packaging size (WxDxH):	750x840x1520 mm
Noise level:	<68 dBA

Construction

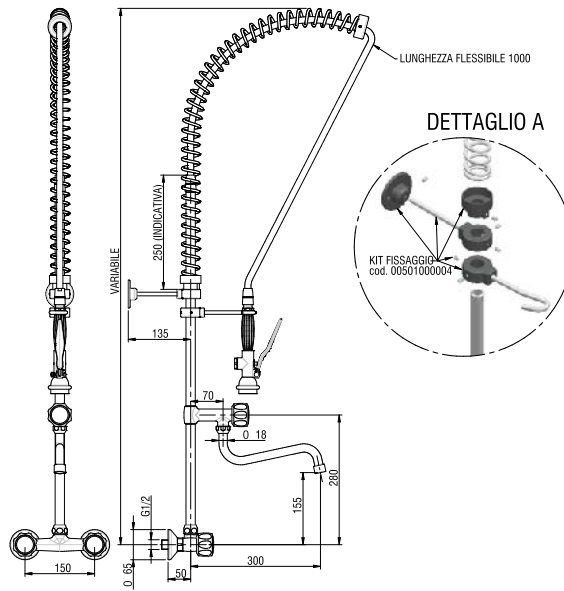
- Height adjustable feet.
- Single skin hood supported by 3 springs to ensure smooth movement and guarantee operator safety.
- Electronic board with digital display incorporates counter for number of cycles and drain cycles.
- Unit to feature smooth surfaces to facilitate cleaning.
- Easy to remove wash/rinse arms, filters and rack support.
- PVC water supply hose with metal connections resistant to high water pressure.
- Load bearing frame, hood, tank, washing and rinsing arms, jets and screws in 304 AISI stainless steel to ensure long term reliability.
- 304L stainless steel boiler with higher welding protection improves

Included Accessories

- 1 of Yellow cutlery container PNC 864242
- 1 of Basket for 18 dinner plates or 27 side plates PNC 867002
(max. diam. 240 mm)



DECK MOUNTED ONE HOLE SHOWER WITH TAP

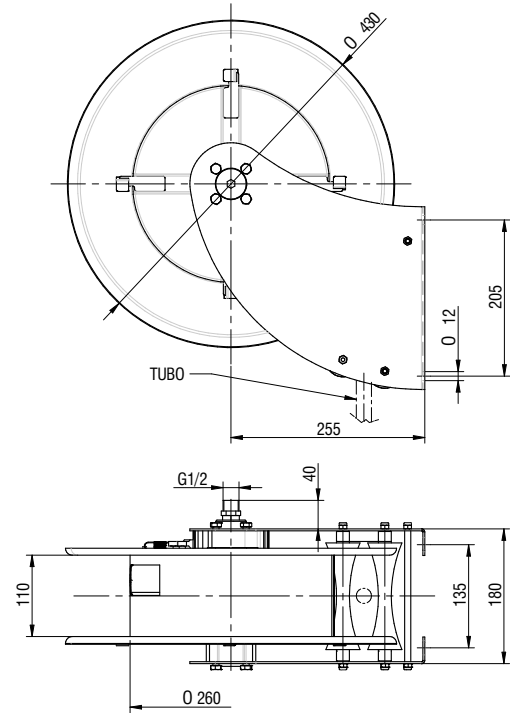


902090206

WALL MOUNTED TWO HOLE SHOWER WITH TAP

Our designs and produces a wide range of Italian-style solutions for your industrial kitchen. A faucet of high quality is your first need if you own or run, for example, a restaurant, a hospital or a hotel.

OPEN HOSE REEL 15 mt – VARNISHED



Admitted diameters	1/4" - 3/8" - 1/2"
Hose lenght in meters	15 m
Working pressure	200 bar
Working temperature	90°C
Inlet thread size	1/2" M
Outlet thread size	1/2" F
Weight	13 Kg
Raw material sides and roll	(Carbon steel)
Raw material shaft and swivel joint	(Carbon steel)
Raw material main spring	(Carbon steel)
Adatto all'utilizzo	(Air-Water)

